



Series 1051

Zetco WaterMarked
& AGA Approved
DZR Brass Ball Valve
M&F Lever Handle

FEATURES

MANUFACTURED IN ITALY

FULL BORE

WATERMARKED TO AS 5830.1 LICENCE WM-000110

AUSTRALIAN GAS ASSOCIATION APPROVAL #5301

BLOW-OUT PROOF STEM

MUST BE OPERATED IN FULLY OPEN OR CLOSED POSITION

ALL VALVES PRESSURE TESTED DURING PRODUCTION

SIZE RANGE: 6MM TO 50MM

PRESSURE AND TEMPERATURE RATINGS

TEMPERATURE RANGE: -20°C TO 99°C

MAXIMUM OPERATING PRESSURE AT NOMINAL TEMPERATURES:

FLUIDS 2500 kPa

FOR RATINGS AT SPECIFIC TEMPERATURES REFER TO GRAPH OVERLEAF

GAS 2100 kPa

BIM-MED^{AUS}



AGA 5301 G
AS 4617



WaterMark

IAPMO WM-000110
AS 5830.1

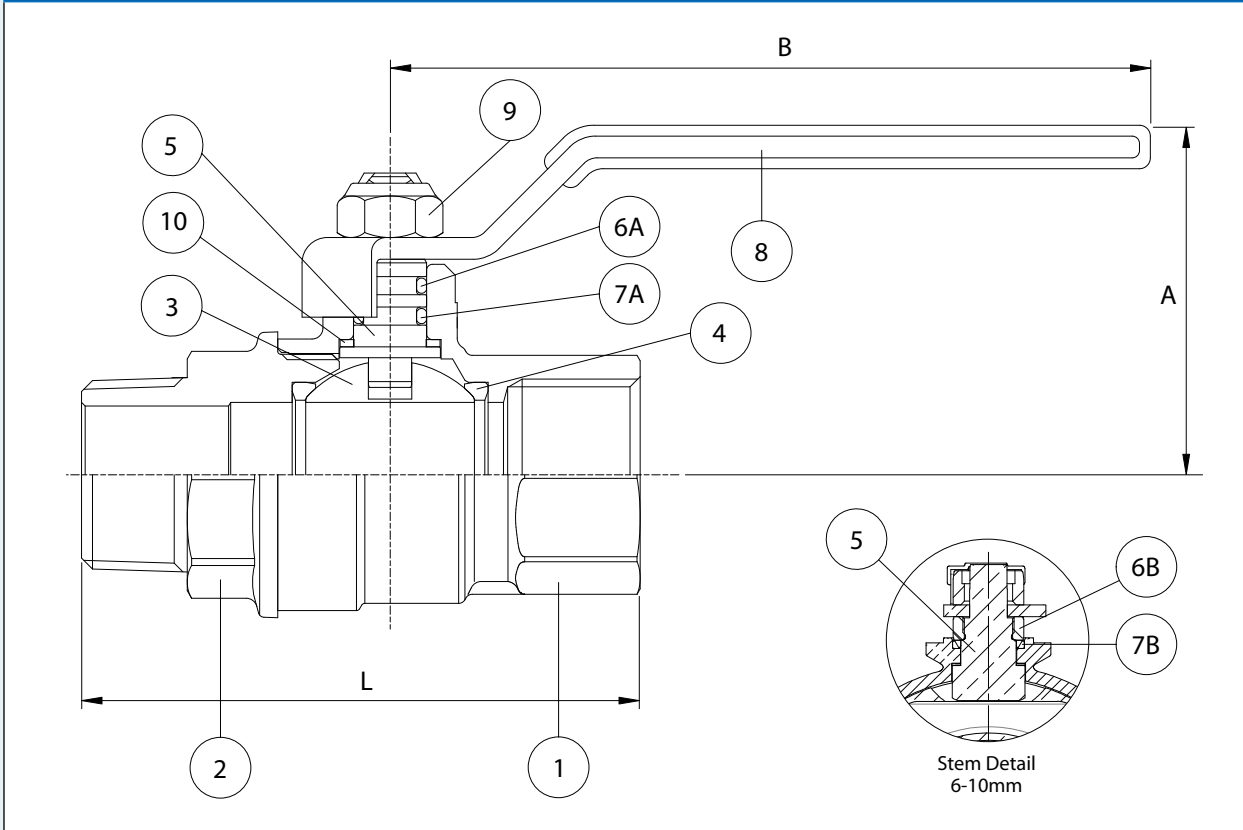
V.00

Series 1051

Zetco WaterMarked & AGA Approved
DZR Brass Ball Valve M&F Lever Handle



DIMENSIONAL AND COMPONENT DIAGRAM



MATERIALS

| POS. | PART NAME | MATERIALS |
|------|---------------|---------------------------|
| 1 | BODY | DZR BRASS |
| 2 | END ADAPTOR | DZR BRASS |
| 3 | BALL | DZR BRASS (CHROME PLATED) |
| 4 | SEAL | PTFE |
| 5 | STEM | DZR BRASS |
| 6A | UPPER O-RING | HNBR |
| 7A | LOWER O-RING | EPDM PEROXIDE |
| 6B | GLAND NUT | BRASS |
| 7B | CONICAL SEAL | PTFE |
| 8 | HANDLE | ZINC PLATED STEEL |
| 9 | NUT | ZINC PLATED STEEL |
| 10 | THRUST WASHER | PTFE |

DIMENSIONS - mm

| Prod. Code | Size | A | B | L | Kv | Wgt kg |
|------------|------|----|-----|-----|-----|--------|
| 1051006 | 6 | 37 | 85 | 51 | 6 | 0.148 |
| 1051010 | 10 | 37 | 85 | 54 | 8 | 0.148 |
| 1051015 | 15 | 37 | 85 | 68 | 15 | 0.217 |
| 1051020 | 20 | 40 | 105 | 78 | 28 | 0.363 |
| 1051025 | 25 | 48 | 105 | 90 | 39 | 0.549 |
| 1051032 | 32 | 63 | 130 | 104 | 84 | 0.921 |
| 1051040 | 40 | 69 | 130 | 114 | 156 | 1.35 |
| 1051050 | 50 | 83 | 165 | 136 | 243 | 2.32 |

PRESSURE/TEMPERATURE DIAGRAM

